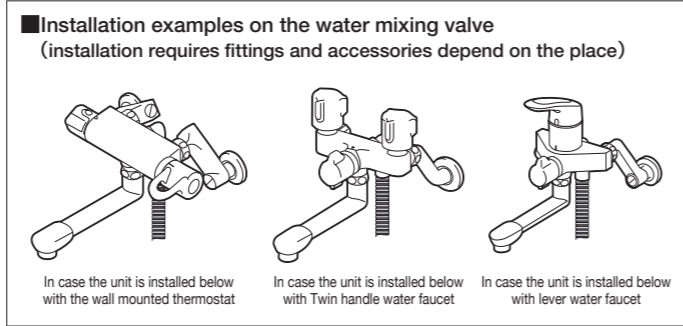
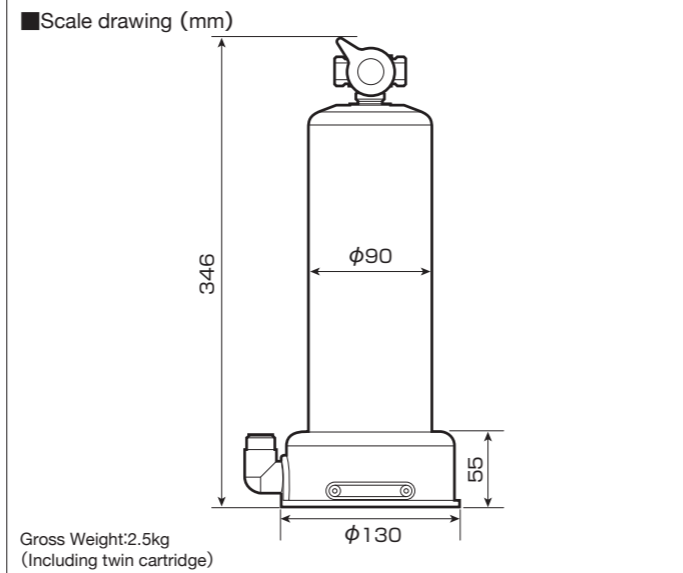
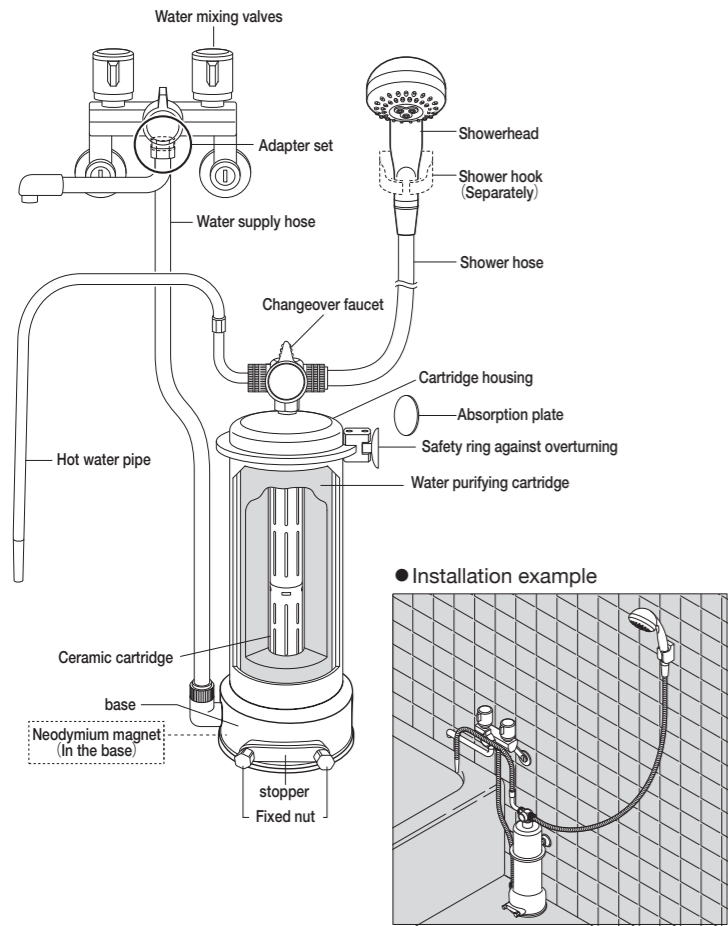


Diameter 9cm (Base diameter is 12cm).  
It is a model having a slim body with a powerful design.



**Standard specifications**

MODEL NAME-NUMBER	ANESPA-DX ANSP - 02
Dimensions of the main body	Height 346mm Diameter 130mm (excluding water source connection.)
Target substance to be eliminated	Residual Chlorine
Filtrate	Residual Chlorine (1mg/ℓ 40℃)
Filtrating Medium	Activated carbon fiber
Filtration flow	10ℓ/minute (0.1 MPa, 40℃) Maximum 15ℓ/minute
Working pressure	0.05~0.5MPa
Maximum operating temperature	60℃
Period for cartridge replacement	About 1 year (the replacement may be required earlier depending on the quality of water and its usage)

**Standard accessories**

- Hot water pipe
- Water supply hose
- Shower hose
- Showerhead
- Cartridge replacement seal (1)
- Safety ring against overturning (with suction cup)
- Suction plate (1)
- Adapter set
- Wrench

**A system for the periodic replacement of the cartridge is recommended.**  
The abilities of ANESPA-DX cannot be fully utilized if a cartridge is used whose life is nearly over or is in use for a long time. We have a system wherein a Spare cartridge can be purchased in advance along with the product. There is no need in keeping the replacement time in mind and worry about the life of the product. When the replacement is due, you will definitely receive the Spare cartridge from us.

Dealer

**SAFETY PRECAUTIONS**  
For your own safety, be sure to observe the following precautions

- CAUTION**
- Please read the Operation Manual carefully, and then use according to instructions.
  - Do not use this product anywhere other than hot water for the bathtub and shower.
  - Use the hot water as per approved standards of water-purity.
  - Keep the water temperature below 60 .
  - Do not connect it to a instant water heater or a running water heater.
  - Replace the filter frequently in the regions where iron and calcium contents in water are high.
  - Do not fix instructions such as "do not supply hot water to bathtub by shower" on the hot water vessel.
  - Do not use this when water supply is under repairs and when there is a supply of red water.
- The unit price of the merchandise described in this catalog do not include sales tax, transportation charges, fees for repairs or installation and replacement charges.
  - The specifications or appearance of the product are subject to manufacturer's improvements without prior notice.
  - Please be aware of that actual product may differ slightly in color, etc from that seen in print.
  - For more information about the product, please inquire with the sales dealer in your district or area.
  - Every product has an accompanying warranty card, which shall be filled in and issued by the Representative Sales Firm. Please check the contents and keep it in safe place for later use during the period of warranty.

Manufacturer  
**Enagic International**

Revolutionize your lifestyle with water.

Moisturize your skin, make your hair shiny!



First manufacturer to use a twin cartridge system!

MINERAL ION WATER  
**ANESPA-DX**  
Mineral Ion Water Activator

Patent/Trademark registration applied

# Feels like being in Hot spring Resort everyday as mineral ion water has a soothing effect on your skin and hair.

## Ensures removal of almost 100% of residual chlorine.

Chlorine disinfects the tap water. But there is also a threat that it may generate toxic substances like Trihalomethane, which is one of the carcinogens. Approximately 30%~ 90% of these toxic substances are absorbed by the body through the skin while taking a steam bath.

The research in America shows that "The quantity of toxic substances absorbed during 15 minute bath or shower is equivalent to drinking 1 liter of contaminated water".

Further, the temperature of 40°C, at which Chlorine is easily absorbed by the skin, is the most suitable water temperature for taking a bath!

"ANESPA-DX" makes hot water suitable for baths by completely removing residual Chlorine and bacteria from the tap water using a purification system of the cartridge.



## "ANESPA-DX" contains a blend of natural Hot spring ingredients and minerals. It gives a unique feeling of enjoying Radium Hot spring, generated by mineral ion water, which enhances the relaxation effects.

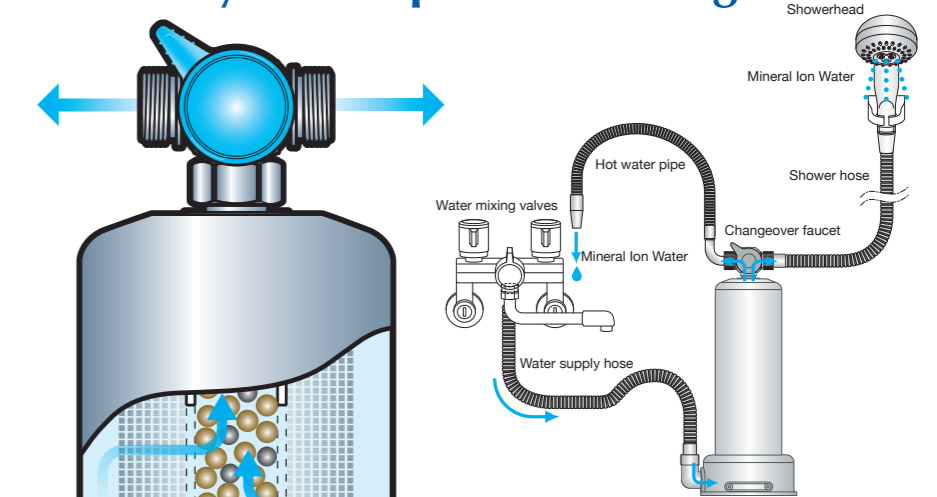
The cartridge of "ANESPA-DX" contains only carefully selected ingredients that are good for the skin. An example would be, Tufa, which is taken from the Futamata Radium Hot spring of Hokkaido. You can enjoy the benefits of a Hot spring along with natural minerals, which gives the body a warm, comfortable feeling.

Moreover, the relaxation effect is remarkable because of MIC stone that generates activated, mildly alkaline water, which is good for the skin, the Power stone, which generates strong negative-ions and also because of the effect of Chikutan ceramic. Experience the relaxation while taking a bath.



## Diameter 9cm (Base diameter is 12cm). It is a model having a slim body with a powerful design.

Standard accessories are a shower hose, water supply hose, hot water pipe, and massaging shower head of stainless steel, and is resistant to rust and dirt.



### Water purification cartridge (Tourmaline impregnated activated carbon fiber)

The characteristic of Tourmaline is to activate the water by using surface-active and negative-ion effect. Further, removes all the impurities such as organic compounds like Trihalomethane and fungus/dust from the tap water with the help of activated carbon fiber. It changes the tap water to good quality water and further enhances the efficiency of the ceramic balls. (Varies depending on the volume / quality of water)

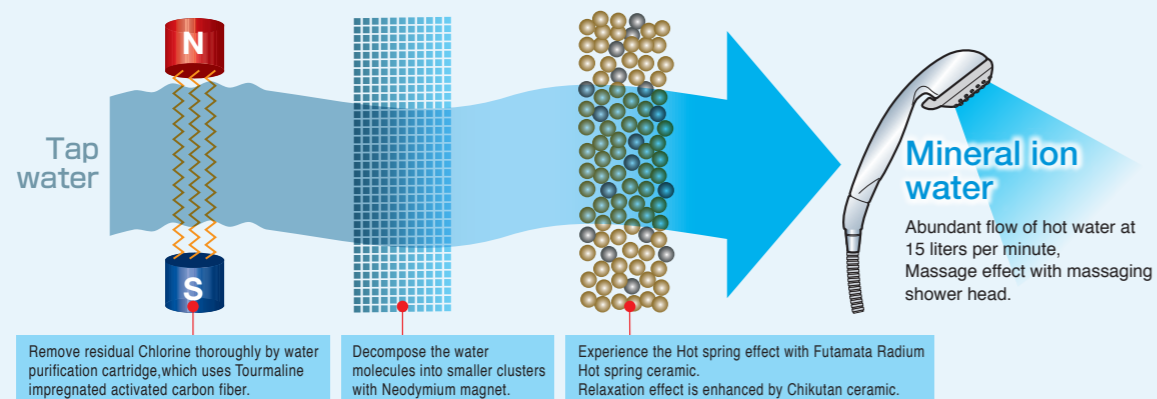
### Ceramic cartridge

The cartridge has a layer of ceramic filling. Ceramic balls of both Futamata Radium Hot spring and Chikutan are comfortably filled in a single cartridge. (Refer the following for details)

### Neodymium magnet

This high quality powerful magnet can decompose the water molecules into smaller clusters to activate the water and change the water to slightly stimulated water. At the same time, it also helps water to better absorb minerals. The effect is semi permanent.

## Purifying tap water to obtain mineral ion water



First manufacturer to use it a twin cartridge

## Bringing together a high level of natural strengths!



Mineral ion water obtained from [Water purifying cartridge] + [Ceramic cartridge] protects your skin and hair and gives a relaxation effect.

### Special Futamata Radium Onsen Ceramic Ball

Calcsinter taken from Futamata Radium Onsen (hot spring) in Hokkaido, which is famous for therapeutic baths. Calcsinter is made of deposited and hardened calcific lime and its main component is calcium carbonate containing radium. Therefore, this product increases your metabolism and gives you a relaxing onsen therapy experience with the calcium dissolved in the bathwater.

### Chikutan Ceramic ball

Generates strong negative-ions that give a relaxing effect. Further, it cleans the air and prevents oxidation. Heating/thermal effect is obtained from far-infrared radiation.